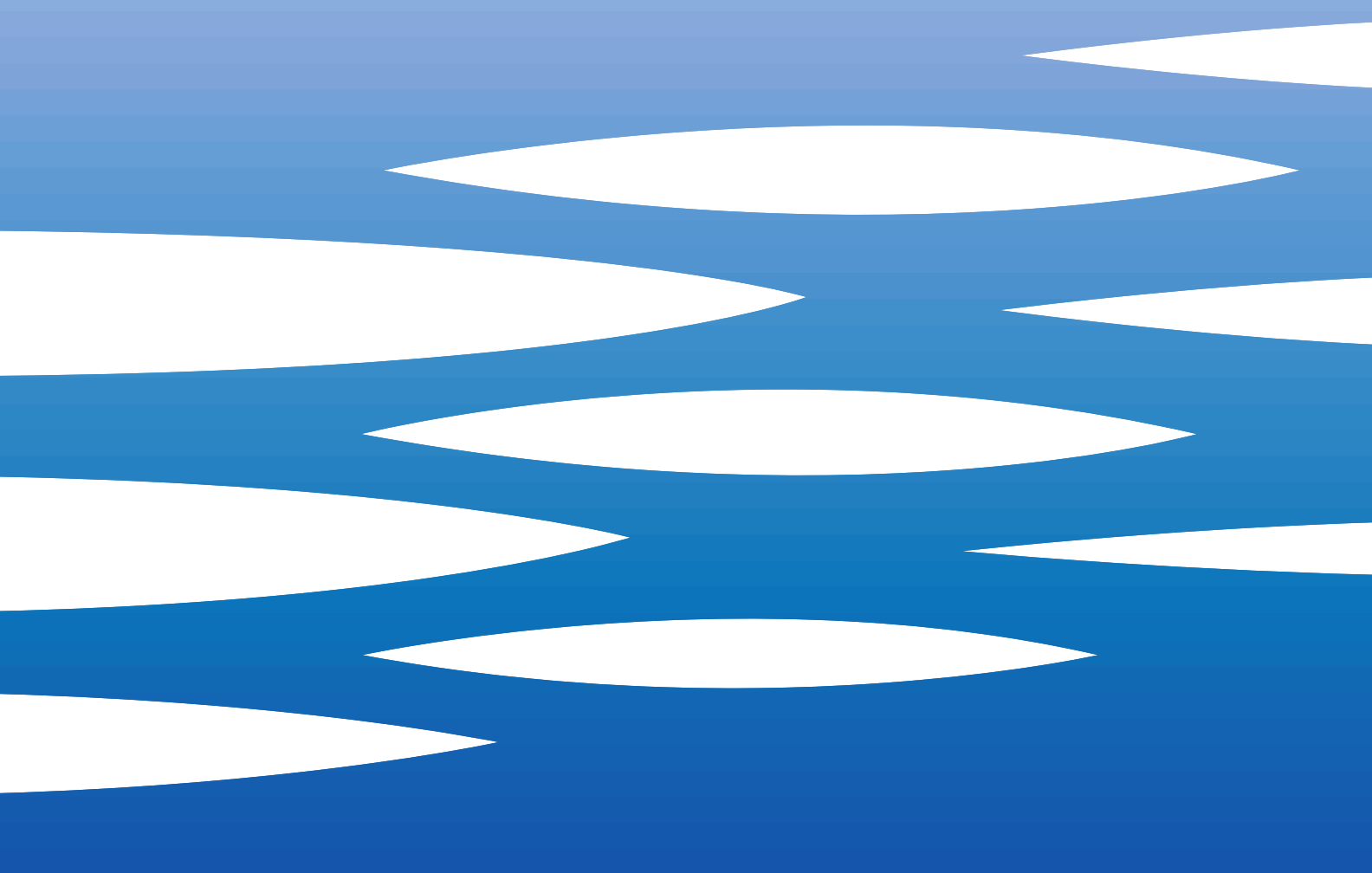


**EBARA**



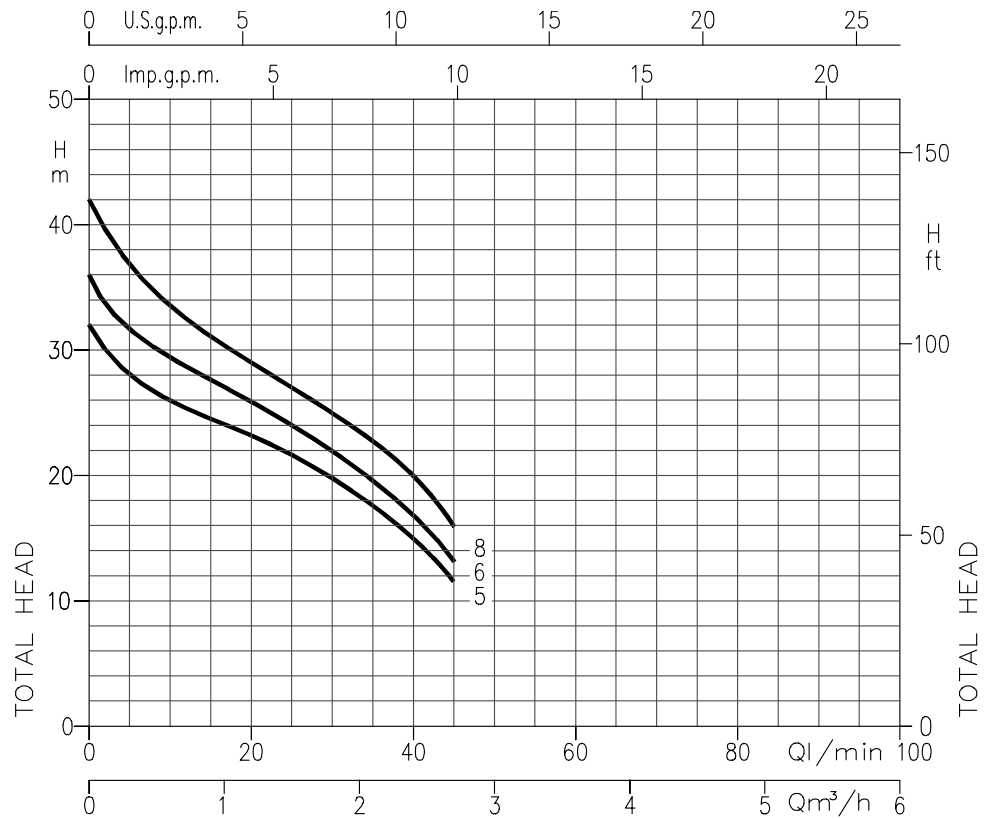
	Page
<b>- SPECIFICATIONS</b>	200
SELECTION CHART	201
PERFORMANCE CHART JESX 5	202
PERFORMANCE CHART JESX 6	203
PERFORMANCE CHART JESX 8	204
<b>- CONSTRUCTIONS</b>	300
SECTIONAL VIEW	300
MECHANICAL SEAL	301
DIAGRAM AND ELECTRIC CONNECTIONS	302
DIAGRAM AND ELECTRIC CONNECTIONS	303
<b>- DIMENSIONS</b>	400
PACKING AND WEIGHT	401
<b>- TECHNICAL DATA</b>	500
ATTENTION ON INSTALLATION OF THE PUMP	501

<b>PUMP</b>		
Liquid Handled	Type of liquid	Clean water
	Max temperature [°C]	45
Maximum working pressure	[MPa]	0.6
Maximum suction depth	[m]	8
Construction	Impeller	Closed centrifugal type
	Shaft seal type	Mechanical seal
	Bearing	Sealed ball bearing
Pipe Connection	Suction [inch]	G 1 UNI ISO 228
	Discharge [inch]	G 1 UNI ISO 228
Material	Casing	AISI 304
	Impeller	PPO mod. glass fibre reinforced
	Shaft seal	Ceramic/Carbon/NBR
	Casing cover	AISI 304
	Shaft	AISI 303 (Wet extension)
	Bracket	Aluminium
	Ejector	PPO mod. glass fibre reinforced
	Diffuser	PPO mod. glass fibre reinforced
Applicable standard of test		ISO 9906 - Annex A

<b>MOTOR</b>		
Type	Electric - TEFC	
	Single Phase	Three Phase
No. of Poles	2	
Synchronous speed [min <sup>-1</sup> ]	3000	
Insulation Class	Class F	
Protection degree	IP 54	
	IP 55 (on request)	
Power rating	[kW]	0.37 ÷ 0.6
	[HP]	0.5 ÷ 0.8
Voltage [V]	230V ±10%	230/400V ±10%
Capacitor (Single Phase)	Built in	-
Over load protection	Built in	Provided by the user
Casing material	Aluminium	
Base material/motor support	Aluminium	
Dimensions of cable entry	PG11	

## SELECTION CHART

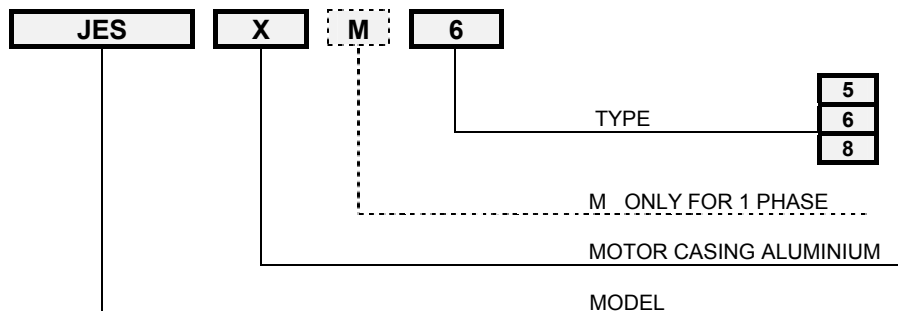
50Hz



Type pumps		kW	HP	Q=Capacity			
Single Phase 230 V 50 Hz	Three Phase 230/400 V 50 Hz			l/min 5	20	40	45
JESXM 5	JESX 5	0.37	0.5	28	23	15	11.5
JESXM 6	JESX 6	0.44	0.6	31.5	26	17	13.5
JESXM 8	JESX 8	0.6	0.8	37	29	20	16

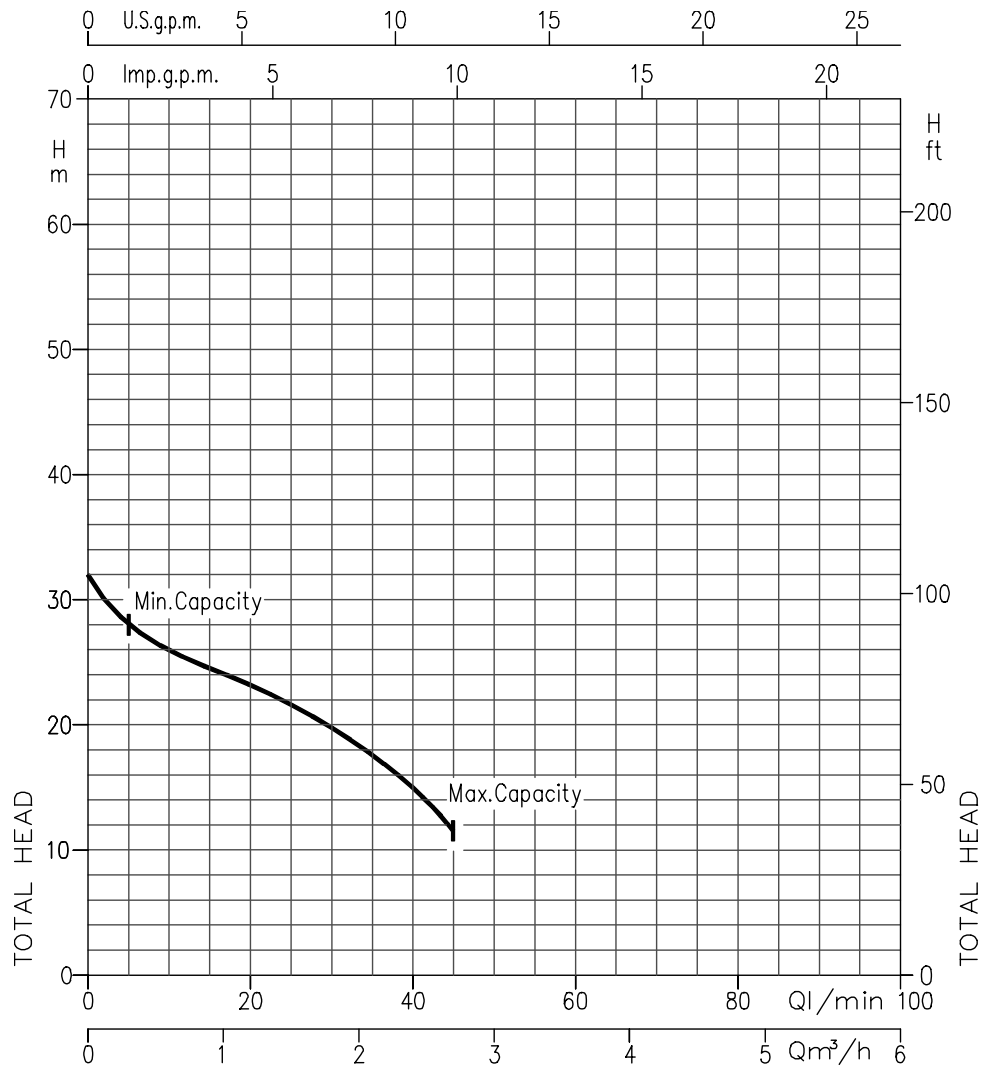
H=Total manometric head in meters

### TYPE KEY:



PUMP CHARACTERISTIC PERFORMANCE

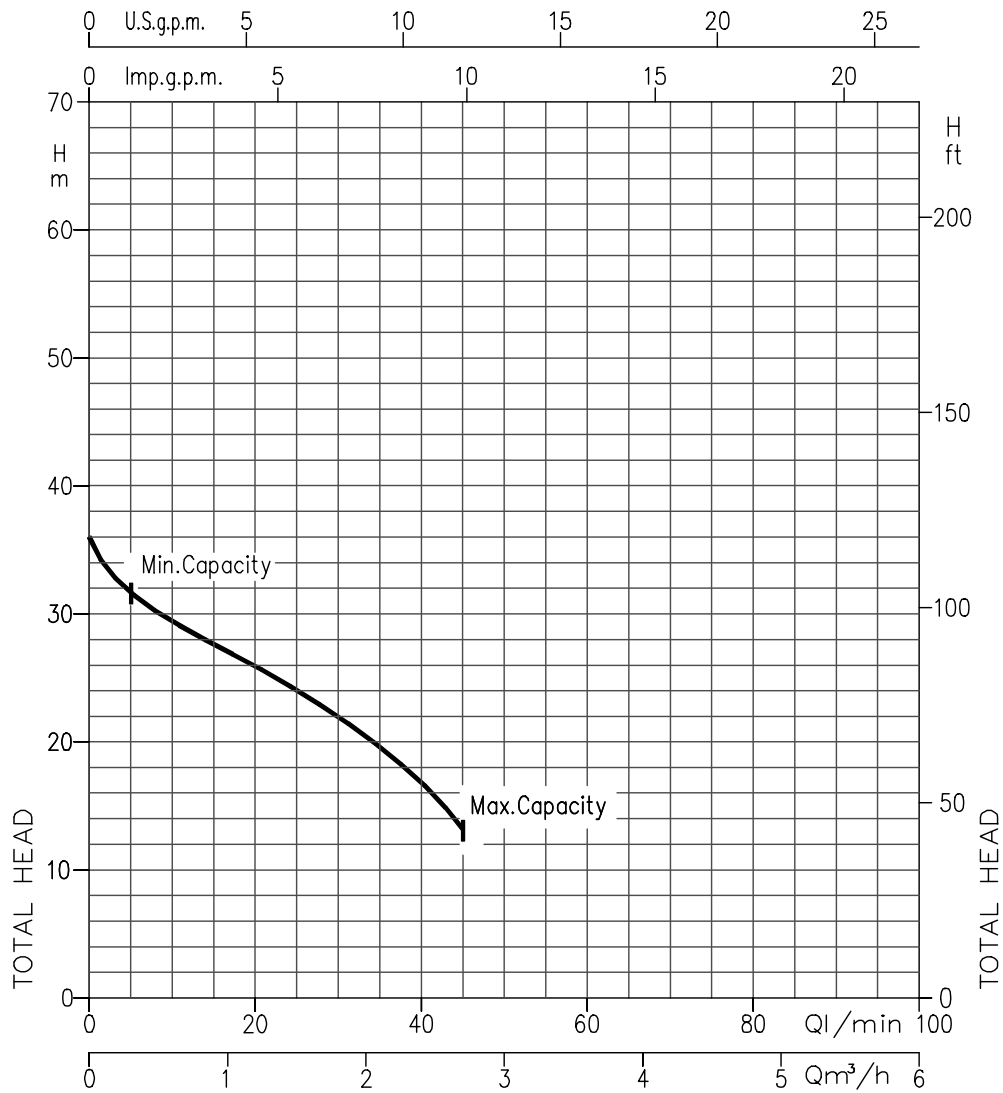
JESX 5 (0.37 kW) SYNCHRONOUS SPEED : 3000 min<sup>-1</sup>



Temperature of water: 20°C  
Impeller diameter = 104 mm  
Applicable standard of test: ISO 9906 – Annex A

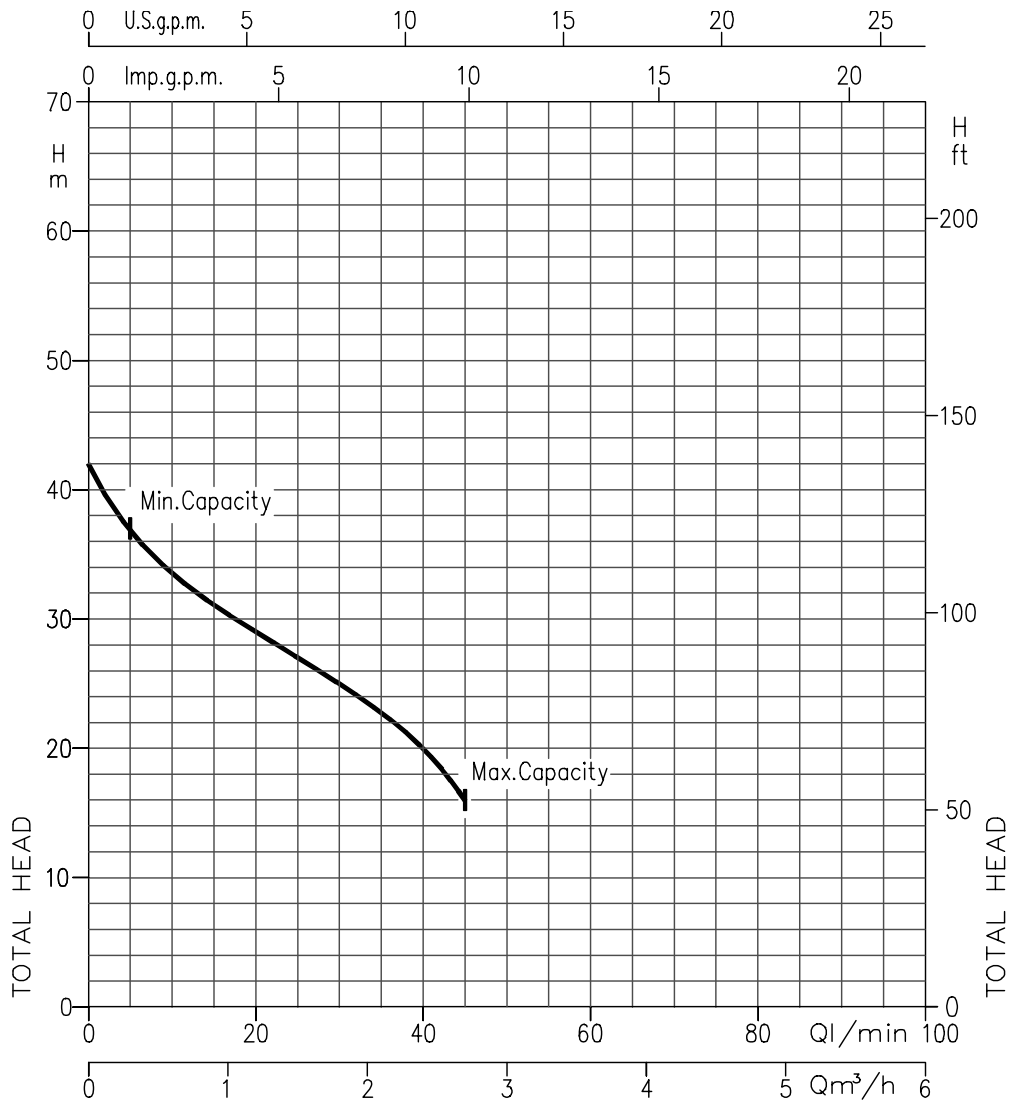
PUMP CHARACTERISTIC PERFORMANCE

JESX 6 (0.44 kW) SYNCHRONOUS SPEED : 3000 min<sup>-1</sup>



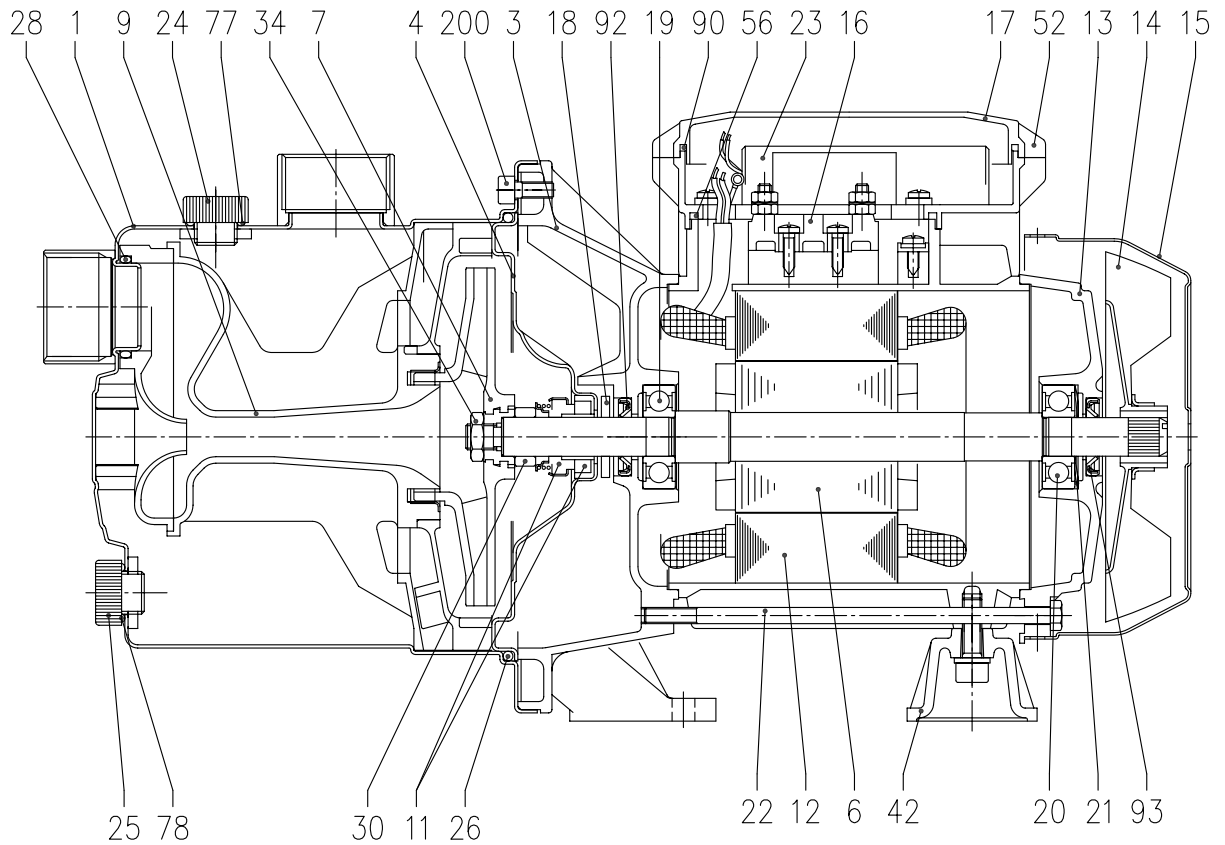
Temperature of water: 20°C  
 Impeller diameter = 104 mm  
 Applicable standard of test: ISO 9906 – Annex A

**PUMP CHARACTERISTIC PERFORMANCE**  
**JESX 8 (0.6 kW) SYNCHRONOUS SPEED: 3000 min<sup>-1</sup>**



Temperature of water: 20°C  
 Impeller diameter = 110 mm  
 Applicable standard of test: ISO 9906 – Annex A

SECTIONAL VIEW



N°	PART NAME	MATERIAL	Q.TY	N°	PART NAME	MATERIAL	Q.TY
1	Casing	AISI 304	1	22	Tie rod	Fe 42 Zinked	4
3	Motor bracket	Aluminium	1	23	Capacitor [1]	-	1
4	Casing cover	AISI 304	1	24	Priming plug	PA6	1
6	Shaft with rotor	AISI 303 (Wet extension)	1	25	Drain plug	PA6	1
7	Impeller	PPO mod. glass fibre reinforced	1	26	O-ring	NBR	1
9	Diffuser Venturi tube	PPO mod. glass fibre reinforced	1	28	O-ring	NBR	1
11	Mechanical seal	Carbon/Ceramic/NBR	1	30	Mechanical seal spacer	Brass	1
12	Motor frame with stator	-	1	34	Impeller nut (2)	AISI 304	1
13	Motor cover	Aluminium	1	42	Motor support	Aluminium	1
14	Fan	PA6	1	52	Terminal box [1]	ABS	1
15	Fan cover	Fe P04 Zinked	1	56	Box gasket	NBR	1
16	Terminal board	-	1	77	O-ring	NBR	1
17	Terminal box cover [2]	Aluminium	1	78	O-ring	NBR	1
18	Splash ring	NBR	1	90	Cover gasket [1] [3]	NBR	1
19	Pump side ball bearing	-	1	92	Lip seal [3]	-	1
20	Fan side ball bearing	-	1	93	Lip seal [3]	-	1
21	Adjusting ring	Steel C70	1	200	Screw	Stainless steel A2 UNI7323	6

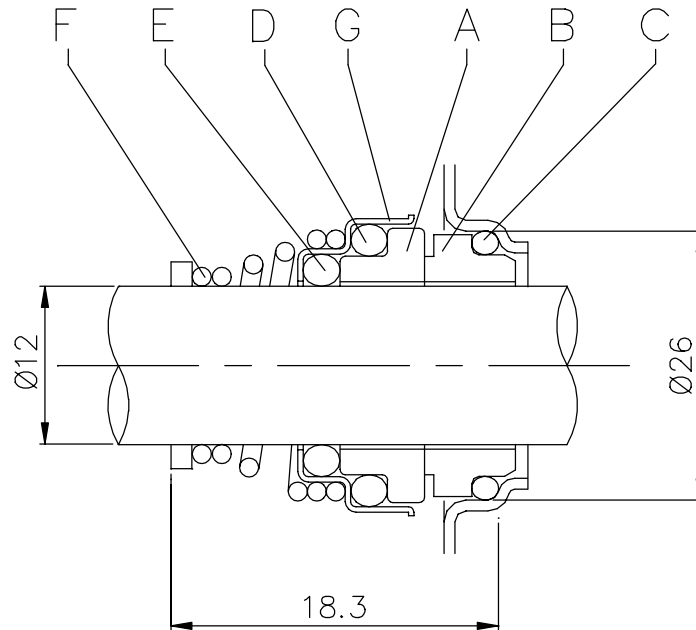
[1] Only for single phase

[2] Only for three phase

[3] Only for IP55



## MECHANICAL SEAL



REF	PART NAME	MATERIAL
A	Rotary seal ring	ceramic
B	Stationary seal ring	carbon graphite
C	O Ring	NBR
D	O Ring	NBR
E	O Ring	NBR
F	Self driving spring	AISI 316
G	Frame	AISI 304

DIAGRAM AND ELECTRIC CONNECTIONS

SINGLE PHASE MOTOR

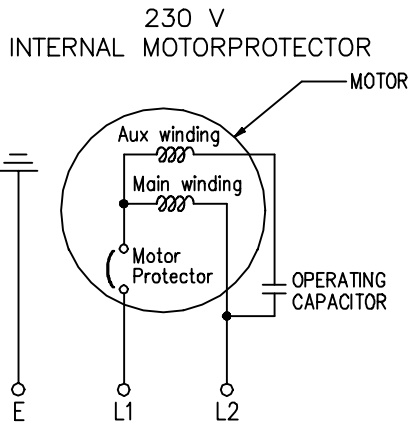
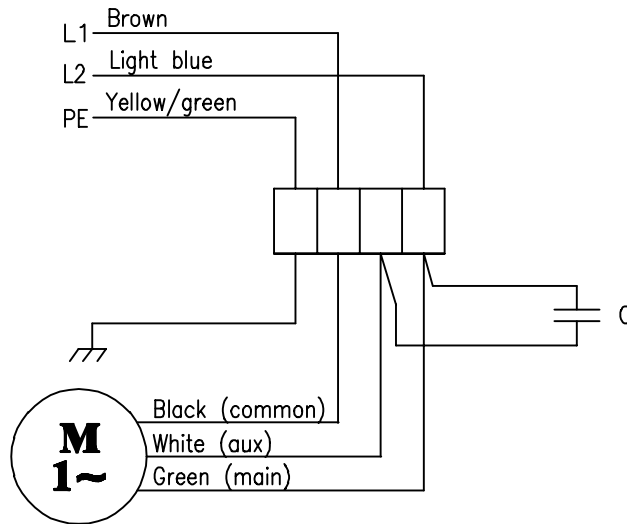
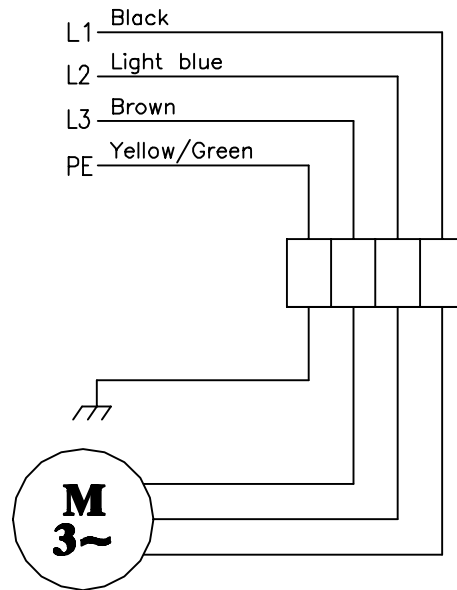


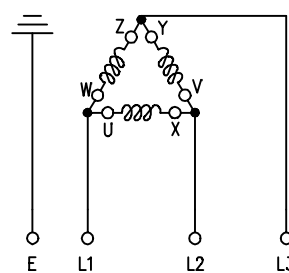
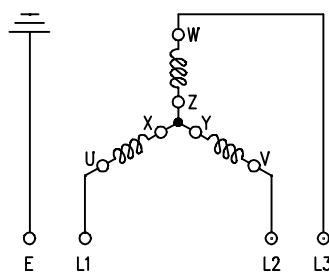
DIAGRAM AND ELECTRIC CONNECTIONS

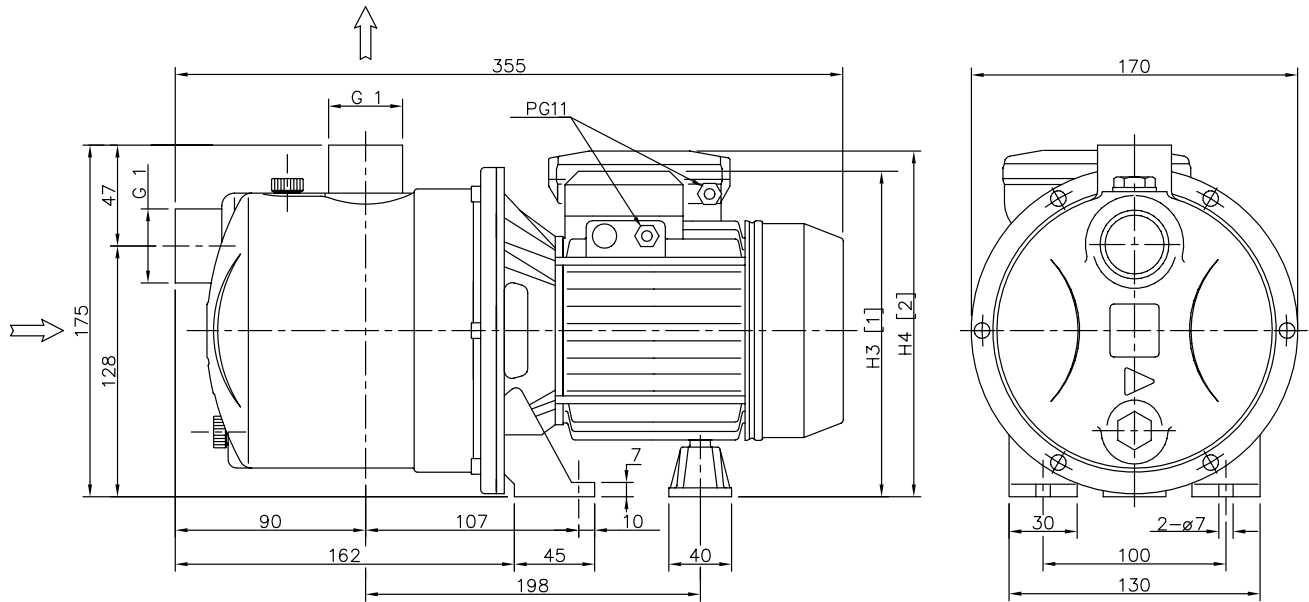
THREE PHASE MOTOR



400 V  
STAR CONNECTION

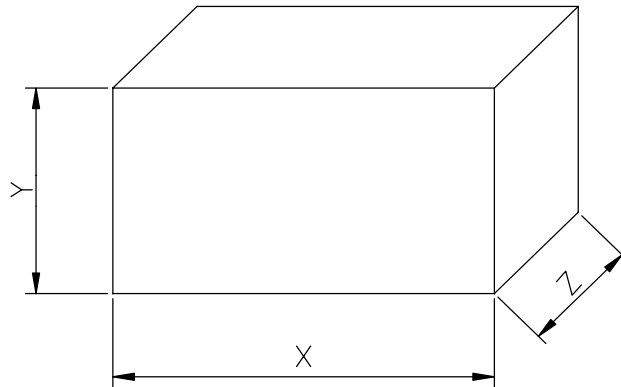
230 V  
DELTA CONNECTION





Pump type	Dimensions in mm	
	H3	H4
JESX		
5	175	200
6	175	200
8	175	200

[1] = Only for three phase  
 [2] = Only for single phase



Type pumps		PACKING [mm]			WEIGHT [kg]	
Single Phase	Three Phase	X	Y	Z	Single Phase	Three Phase
JESXM 5	JESX 5	182	220	372	5.1	5.1
JESXM 6	JESX 6	182	220	372	5.5	5.5
JESXM 8	JESX 8	182	220	372	6.1	6.1

Type pumps		kW	HP	Capacitor		Input		Full load current			Locked rotor current		
Single Phase 230 V 50 Hz	Three Phase 230/400 V 50 Hz			Single Phase µF	Vc	Single Phase	Three Phase	Single Phase	Three Phase 230 V	400 V	Single Phase 230 V 50 Hz	Three Phase 230 V 50 Hz	400 V 50 Hz
JESXM 5	JESX 5	0.37	0.5	10	450	0.44	0.43	2.1	1.5	0.85	6.3	6.4	3.7
JESXM 6	JESX 6	0.45	0.6	10	450	0.54	0.49	2.4	1.9	1.1	8.5	8.6	5
JESXM 8	JESX 8	0.6	0.8	12.5	450	0.63	0.58	3.0	2.25	1.3	10.6	10.7	6.2

Type pumps		Ball Bearing	
Single Phase 230 V 50 Hz	Three Phase 230/400 V 50 Hz	Pump side	Fan side
JESXM 5	JESX 5	6201 ZZ	6201 ZZ
JESXM 6	JESX 6	6201 ZZ	6201 ZZ
JESXM 8	JESX 8	6201 ZZ	6201 ZZ

If you use this pump on suction condition, it tends to breathe the air from outside because the pressure in pump becomes vacuum condition when it stopped. So water in the pump sometimes fall down to breath the air from pipe connection. If it is used to operate continuously under this condition, this is the cause of breakdown to overheat inside the pump.



**So please install foot valve or check valve at suction pipe in order to prevent the pump from such a condition. And moreover will you please support the suction pipe and the delivery one to prevent the pump from leaning the weight of pipe.**

